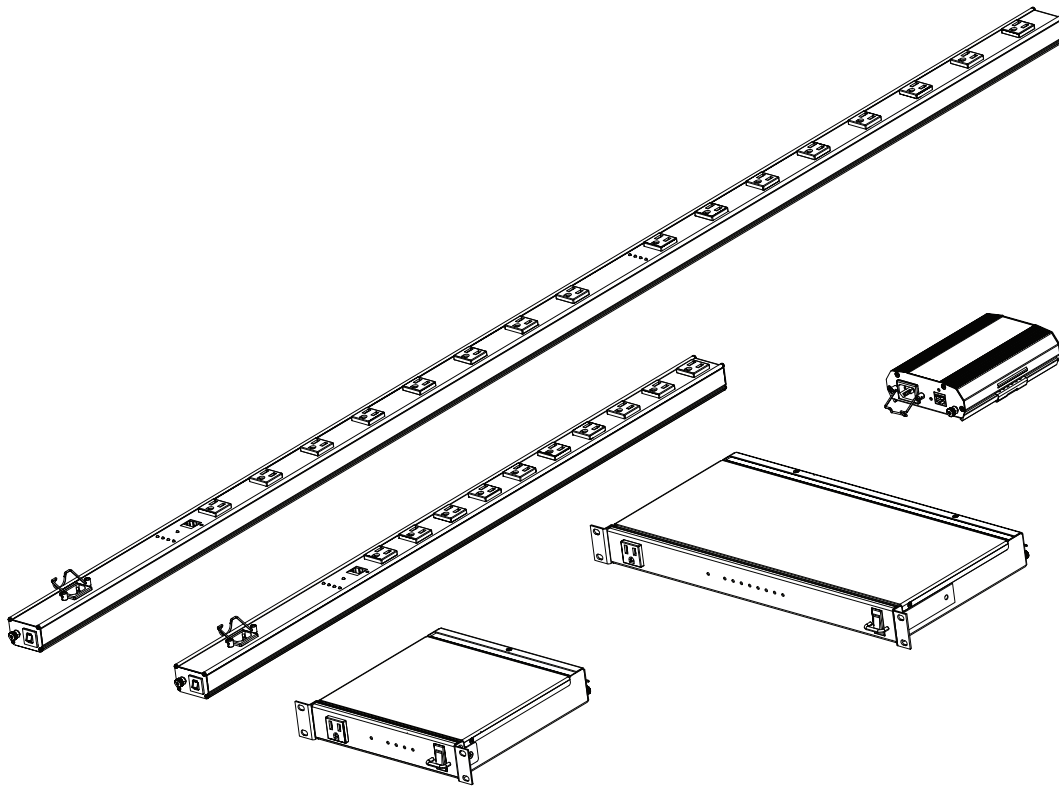


QUICK START GUIDE

SELECT SERIES PDU WITH RACKLINK™

MONITOR | CONTROL | ALERT | REPORT | ANALYZE



THANK YOU

Thank you for purchasing a Select Series PDU with RackLink™ product. Please read these instructions thoroughly before installing this product.

PRODUCT FEATURES

- Available in horizontal rack (RLNK-915R), half rack (RLNK-415R), compact (RLNK-215), and vertical (RLNK-1015V and RLNK-1615V) models.
- Remotely reboot connected equipment.
- Integrated sequencing.
- Set email alerts.
- Access the following link for software downloads, firmware updates, and the Select Series PDU with RackLink User Manual:

www.middleatlantic.com/downloads

IMPORTANT SAFETY INSTRUCTIONS

- Read these instructions.
- Heed all warnings.
- Clean only with dry cloth.
- Keep these instructions.
- Follow all instructions.
- Only use attachments/accessories specified by the manufacturer.



DANGER HAZARDOUS VOLTAGE: The lightning flash with the arrowhead symbol, within an equilateral triangle is intended to alert the user to the presence of uninsulated dangerous voltage within the product's enclosure that may be of sufficient magnitude to constitute a risk of electric shock to persons.



WARNING: A warning alerts you to a situation that could result in serious personal injury or death.



CAUTION: A caution alerts you to a situation that may result in minor personal injury or damage to the product and/or property.

NOTE: A note is used to highlight procedures pertaining to the installation, operation, or maintenance of the product.



WARNING: Failure to read, understand and follow the following information can result in serious personal injury, damage to the equipment or voiding of the warranty. It is the responsibility of the Installer/User to ensure that this product is loaded according to specifications.



CAUTION: The socket-outlet shall be installed near the equipment and shall be easily accessible.



CAUTION: Use indoor in dry locations only.

INSTRUCTIONS IMPORTANTES SUR LA SÉCURITÉ

- Lire ces instructions.
- Respectez tous les avertissements.
- Nettoyer uniquement avec un chiffon sec.
- Conservez ces instructions.
- Suivez toutes les instructions.
- N'utilisez que des accessoires spécifiés par le fabricant.



DANGER TENSION DANGEREUSE: Le symbole de la pointe de flèche, dans un triangle équilatéral, est destiné à alerter l'utilisateur sur la présence de tension dangereuse non isolée dans l'enceinte du produit qui peut être d'une ampleur suffisante pour constituer un risque d'électrocution.



AVERTISSEMENT: Un avertissement vous avertit d'une situation pouvant entraîner des blessures graves ou la mort.



ATTENTION: Une attention vous avertit d'une situation pouvant entraîner des blessures mineures ou des dommages au produit et/ou à la

REMARQUE: Une remarque est utilisée pour mettre en évidence les procédures relatives à l'installation, au fonctionnement ou à l'entretien du produit.



AVERTISSEMENT: Refus de lire, comprendre et suivre la renseignements suivants peut traduire par de graves blessures, des dommages à l'équipement ou invalider la garantie. Il est la responsabilité de l'installateur/utilisateur de s'assurer que ce produit est chargé conformément aux spécifications.



CAUTION: La prise de courant doit être installée près de l'équipement et doit être facilement accessible.

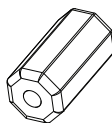
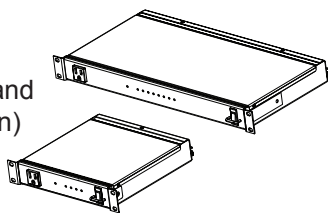


CAUTION: Pour être utilisé en intérieur dans un endroit sec seulement.

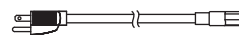
SUPPLIED COMPONENTS AND HARDWARE

HORIZONTAL MODELS (RLNK-915R AND RLNK-415R)

Horizontal Unit
(both RLNK-915R and
RLNK-415R shown)



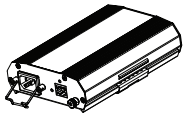
Ferrite



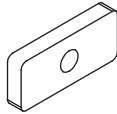
Power
Cable

SUPPLIED COMPONENTS AND HARDWARE

COMPACT MODEL (RLNK-215)



Compact
Unit



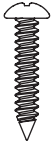
(2x)
10-32 Oval
Nut



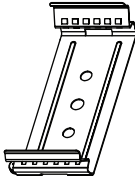
(2x)
10-32 x 1/2"
Phil. Screw



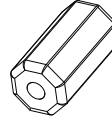
(2x)
10-12 Drywall
Anchors



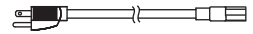
(2x)
#10 x 1" Phil.
Screw



Mounting
Clip

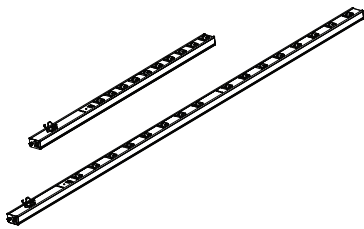


Ferrite

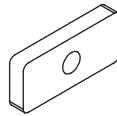


Power
Cable

VERTICAL MODELS (RLNK-1015V AND RLNK-1615V)



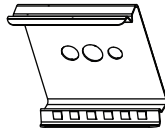
Vertical Unit
(both RLNK-1015V and
RLNK-1615V shown)



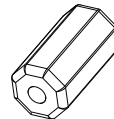
(4x)
10-32 Oval
Nut



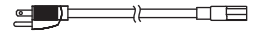
(4x)
10-32 x 1/2"
Phil. Screw



Mounting
Clip



Ferrite



Power
Cable

REQUIRED TOOLS

- #2 Phillips Screwdriver



WARNING: Use tools with caution and follow all necessary safety protocols.

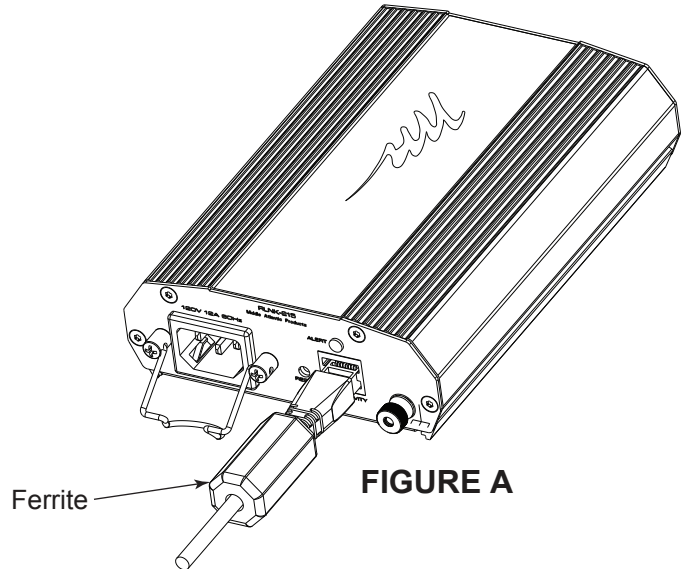
AVERTISSEMENT: Utiliser des outils avec prudence et suivre tous les protocoles de sécurité nécessaires.

RACKLINK HARDWARE SETUP

WARNING: For safety instructions, refer to the "Select Series PDU with RackLink User Manual" at www.middleatlantic.com/downloads.

AVERTISSEMENT: Pour obtenir des instructions de sécurité, reportez-vous à la "Select Series PDU with RackLink User Manual" à www.middleatlantic.com/downloads.

1. Install the device in the location it will reside.
2. Plug the device into a properly grounded AC power source.
3. Connect the device to your network using a shielded Cat 5 cable, or better.
4. Attach the ferrite provided (part number: 600-01660) as close as possible to the connector going into your device on your shielded Cat 5 cable. (**FIGURE A**)



NOTE: The following hardware setup instructions apply to vertical (RLNK-1015V and RLNK-1615V) and the compact (RLNK-215) models only.

Installing Vertical (RLNK-1015V and RLNK-1615V) Models in an Enclosure

1. Install the mounting clips through the infinite or fixed position holes in a Middle Atlantic Product enclosure as shown. (**FIGURE B**)
2. Insert the PDU by gently tapping with the palm of your hand.

TIP: To remove the PDU from the mounting clips, wedge a flat head screwdriver between the side of the PDU and clip, and gently pry the PDU from the clip as shown. (**FIGURE C**)

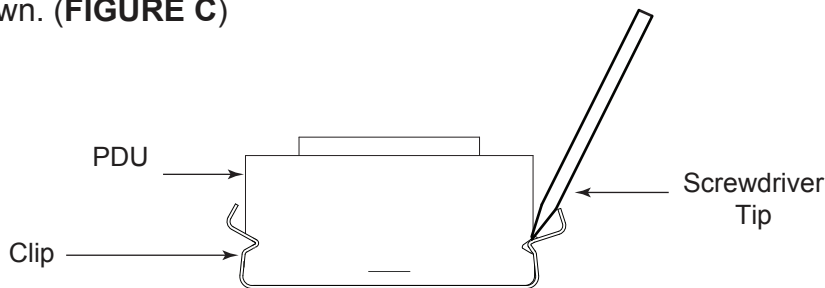
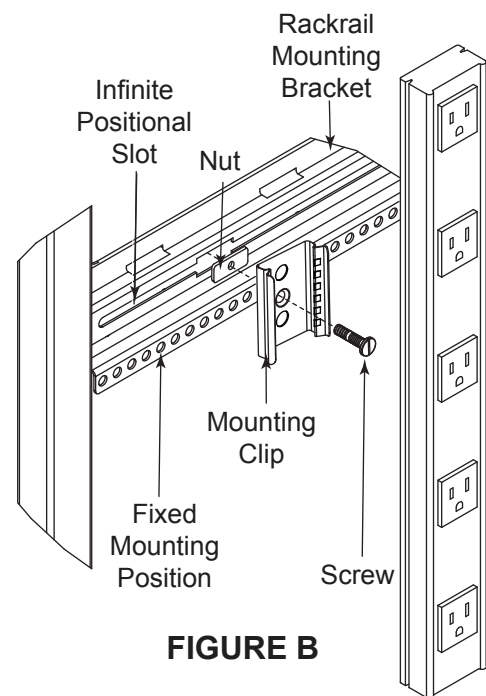
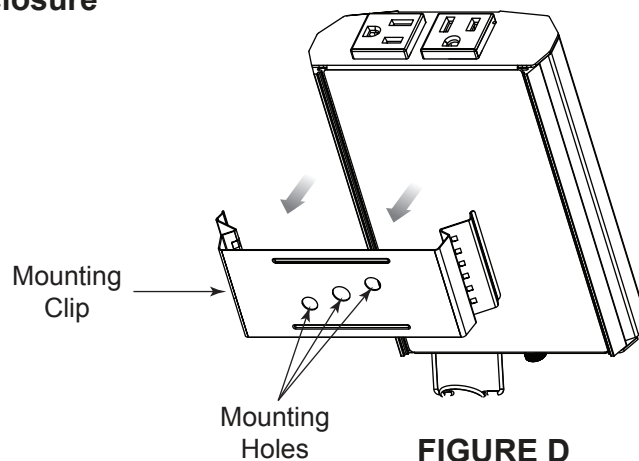


FIGURE C

RACKLINK HARDWARE SETUP

Installing The Compact (RLNK-215) Model in an Enclosure

1. Install mounting clip into the desired location using the outer two provided mounting holes. (**FIGURE D**)
2. Insert the RLNK-215 into the mounting clip. (**FIGURE C**)



NETWORKING DEFAULTS

The default network setup is DHCP and the default static address is 192.168.1.200.

INSTALLING THE DEVICE DISCOVERY SOFTWARE

1. Download and run the Device Discovery **setup.exe** file for PC or MAC from:

www.middleatlantic.com/downloads

2. Follow the steps until the Device Discovery tool launches.
3. When launched, the Device Discovery tool discovers all RackLink devices on the same subnet.

For more information about installing the Device Discovery tool, refer to the “Select Series PDU with RackLink User Manual” at www.middleatlantic.com/downloads, or contact support at 1-800-266-7225.

ACCESSING YOUR RACKLINK VIA THE BROWSER-BASED INTERFACE

1. Locate your device on the list shown in the Device Discovery tool and launch the browser-based interface by clicking the corresponding Device Control button.

NOTE: The default account names and passwords for the Administrator, User, and Control Systems accounts, respectively, on your RackLink device are as follows:

Administrator Account	User Account	Control System Account
Username: admin Password: admin	Username: user Password: user	Username: user Password: password

For more information about using the browser-based interface, refer to the “Select Series PDU with RackLink User Manual” at www.middleatlantic.com/downloads, or contact support at 1-800-266-7225.

ALERT LED STATES

An LED labeled ALERT on your PDU indicates various states. This table explains how to interpret the LED states.

Alert LED State	What It Means
Blinking Green	Acquiring IP address (during startup).
Green	Normal operation, IP acquired, and no alarms.
Blinking Green/Red	No alarms, running on default IP (DHCP not acquired).
Blinking Red	Lost IP connection.
Red	Network is active, alarms present.

UPDATING RACKLINK DEVICE FIRMWARE

NOTE:

- The current firmware version installed on your RackLink appears on the lower-left of all browser-based interface screens.
- For more information about firmware updates, refer to the “Select Series PDU with RackLink User Manual” at www.middleatlantic.com/downloads, or contact support at 1-800-266-7225.

1. Access the latest version of the RackLink device firmware.
2. Sign in to the browser-based interface using the admin/admin account.
3. Click **Menu > Firmware**.
4. Click **Choose File** and locate the latest version of the firmware from Step 1.
5. Click **Upload**.

The screen indicates that it's uploading the firmware file and eventually shows a completed status.

6. Click **Restart Unit**.

The Upload Reminder pop-up appears.

7. Click **Restart**.

At this point, the unit will restart, install the new firmware, and return to the main page.

TROUBLESHOOTING

Forgotten Password

Press the Restore Defaults button on the device. This will default the login and password to admin/admin. **NOTE:** Pressing this button also defaults the device to using DHCP.

Cannot Access User Interface

Check to see if you can access a general webpage. Verify the green LED on your Ethernet port is lit solid and the yellow LED is blinking.

Unit Will Not Operate After Firmware Upgrade

Contact support at 1-800-266-7225.

RackLink Not Receiving Power

Check that your power cable is securely fastened and confirm the circuit breaker on the unit is in the ON position.

Plug another device into the same receptacle and see if the other unit receives power.

WARRANTY

For warranty information, refer to <http://www.middleatlantic.com/company/about-us.aspx#warranty>

Corporate Headquarters

Corporate Voice: 973-839-1011 - Fax: 973-839-1976 / International Voice: +1 973-839-8821 -

Fax: +1 973-839-4982

www.middleatlantic.com - info@middleatlantic.com

Middle Atlantic Canada

Voice: 613-836-2501 - Fax: 613-836-2690 / ca.middleatlantic.com -

customerservicecanada@middleatlantic.ca

Factory Distribution

USA: NJ - CA - IL Canada: ON - BC

At Middle Atlantic Products we are always listening. Your comments are welcome.

Middle Atlantic Products is an ISO 9001 and ISO 14001 Registered Company.



Middle Atlantic Products

what great systems are built on™

middleatlantic.com ■ 800.266.7225